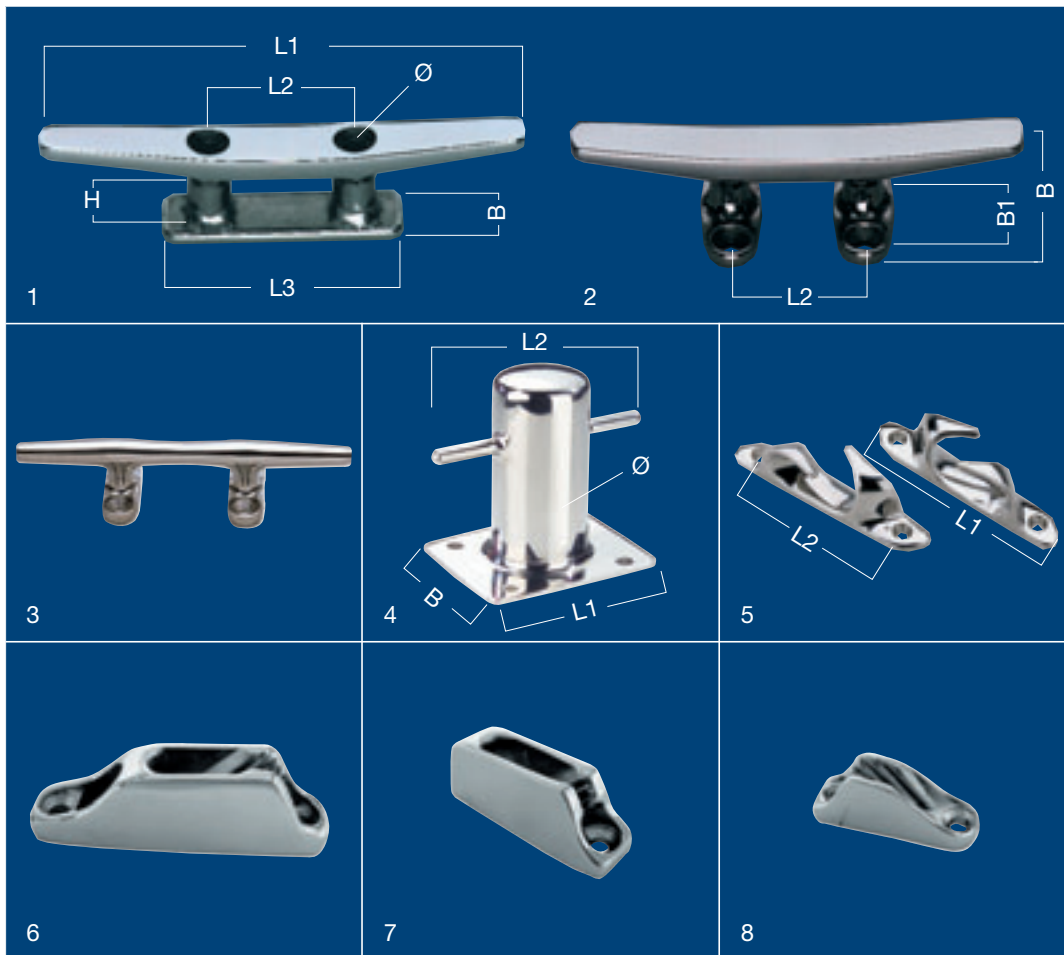


|     |  | L1<br>mm | L2<br>mm | L3<br>mm | B<br>mm | H<br>mm | Bohr-<br>loch<br>Ø mm | Artikel-Nr.         |
|-----|--|----------|----------|----------|---------|---------|-----------------------|---------------------|
| 1   | Belegklampe<br>Edelstahl rostfrei                  |          | 50       | 10       |         |         | 3,3                   | <b>33801 050 55</b> |
|     |  |          | 60       | 10       |         |         | 3,3                   |                     |
|     |  |          | 80       | 10       |         |         | 5,2                   |                     |
|     |  |          | 100      | 16       |         |         | 5,2                   |                     |
| 2   | Belegklampe<br>Messing poliert                     |          | 40       | 9        |         |         | 3,2                   | <b>33800 040 33</b> |
| 3   | Belegklampe<br>Kunststoff schwarz                  |          | 80       | 22       |         |         | 3,9                   | <b>39051 308 00</b> |
|     |  |          | 110      | 28       |         |         | 5,1                   |                     |
|     |  |          | 145      | 35       |         |         | 6,1                   |                     |
|     |  |          | 180      | 45       |         |         | 7,2                   |                     |
|     |  |          | 210      | 52       |         |         | 8,5                   |                     |
| 4   | Belegklampe<br>2-Loch<br>Aluminium silber eloxiert |          | 80       | 22       |         | 10      | 9                     | <b>33841 080 54</b> |
|     |  |          | 100      | 25       |         | 15      | 10                    |                     |
|     |  |          | 125      | 31       |         | 19      | 12                    |                     |
|     |  |          | 150      | 37       |         | 22      | 16                    |                     |
|     |  |          | 200      | 52       |         | 32      | 23                    |                     |
| 250 | 60   |          | 37       | 30       |         |         |                       |                     |
| 5   | Belegklampe<br>4-Loch<br>Aluminium silber eloxiert |          | 80       | 27       | 26      | 10      | 12,5                  | <b>33846 080 54</b> |
|     |  |          | 100      | 31       | 34      | 14      | 13                    |                     |
|     |  |          | 125      | 41       | 39      | 19      | 14                    |                     |
|     |  |          | 150      | 43       | 45      | 22      | 18                    |                     |
|     |  |          | 200      | 63       | 52      | 32      | 25                    |                     |
|     |  |          | 250      | 70       | 58      | 36      | 30                    |                     |
| 320 | 88   | 80       | 47       | 38       |         |         |                       |                     |



|  | L1<br>mm | L2<br>mm | L3<br>mm | H<br>mm | B<br>mm | B1<br>mm | für<br>Tauwerk<br>mm | Bohrloch<br>Ø mm | Ø  | Artikel-Nr.                          |
|--|----------|----------|----------|---------|---------|----------|----------------------|------------------|----|--------------------------------------|
| 1<br>Belegklampe<br>2-Loch<br>AISI 316<br>Edelstahl rostfrei | 100      | 30       | 50       | 15      | 16      |          |                      | 4                |    | <b>33848 100 56</b>                  |
|  | 125      | 35       | 65       | 16      | 18      |          |                      | 5                |    | <b>125 56</b>                        |
|  | 150      | 45       | 73       | 19      | 22      |          |                      | 5                |    | <b>150 56</b>                        |
|  | 200      | 56       | 90       | 23      | 25      |          |                      | 6,5              |    | <b>200 56</b>                        |
|  | 250      | 71       | 110      | 24      | 28      |          |                      | 8                |    | <b>250 56</b>                        |
| 2<br>Belegklampe<br>4-Loch<br>AISI 316<br>Edelstahl rostfrei | 100      | 30       |          | 14      | 35      | 25       |                      | 5                |    | <b>33849 100 56</b>                  |
|  | 125      | 40       |          | 16      | 46      | 30       |                      | 5                |    | <b>125 56</b>                        |
|  | 150      | 51       |          | 18      | 60      | 42       |                      | 6                |    | <b>150 56</b>                        |
|  | 200      | 56       |          | 26      | 60      | 42       |                      | 6                |    | <b>200 56</b>                        |
|  | 250      | 54       |          | 30      | 65      | 46       |                      | 6,5              |    | <b>250 56</b>                        |
| 3<br>Belegklampe<br>4-Loch<br>AISI 316<br>Edelstahl rostfrei | 150      | 58       |          | 20      | 44      | 26       |                      | 6                |    | <b>33824 150 56</b>                  |
|  | 200      | 72       |          | 24      | 52      | 34       |                      | 6,5              |    | <b>200 56</b>                        |
|  | 250      | 91       |          | 30      | 67      | 44       |                      | 8,0              |    | <b>250 56</b>                        |
|  | 300      | 100      |          | 33      | 71      | 49       |                      | 8,5              |    | <b>300 56</b>                        |
| 4<br>Poller<br>AISI 316<br>Edelstahl rostfrei                | 90       | 130      |          |         | 80      |          |                      | 6                | 50 | <b>33830 050 56</b>                  |
|  | 120      | 160      |          |         | 95      |          |                      | 6                | 60 | <b>060 56</b>                        |
| 5<br>Lippklampen<br>AISI 316<br>Edelstahl rostfrei           | 115      | 96       |          |         |         |          | 12                   |                  |    | <b>34350 115 56</b><br><b>(Paar)</b> |
|  |          |          |          |         |         |          |                      |                  |    |                                      |
| 6<br>Kammklemme<br>AISI 316<br>Edelstahl rostfrei            | 55       |          |          |         | 15      |          | 3 - 6                |                  |    | <b>36660 001 56</b>                  |
|  | 70       |          |          |         | 17      |          | 3 - 6                |                  |    | <b>002 56</b>                        |
|  | 82       |          |          |         | 18      |          | 3 - 6                |                  |    | <b>003 56</b>                        |
| 7<br>Kammklemme<br>AISI 316<br>Edelstahl rostfrei            | 54       |          |          |         | 17      |          | 3 - 6                |                  |    | <b>36661 000 56</b>                  |
|  |          |          |          |         |         |          |                      |                  |    |                                      |
| 8<br>Kammklemme<br>AISI 316<br>Edelstahl rostfrei            | 48       |          |          |         | 14      |          | 3 - 6                |                  |    | <b>36662 000 56</b>                  |
|  |          |          |          |         |         |          |                      |                  |    |                                      |