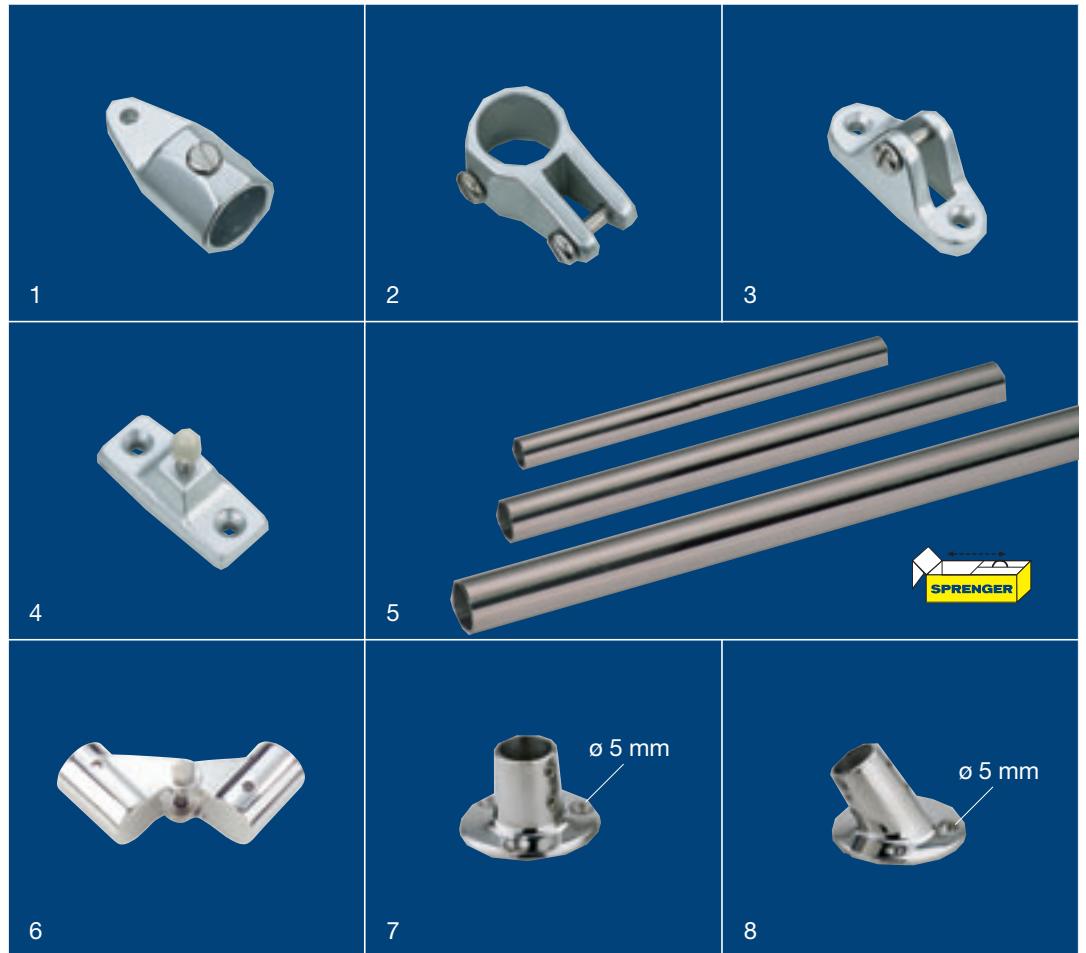


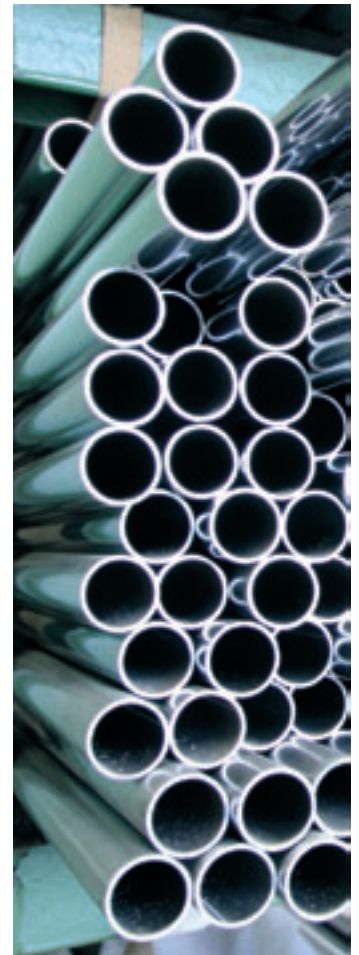
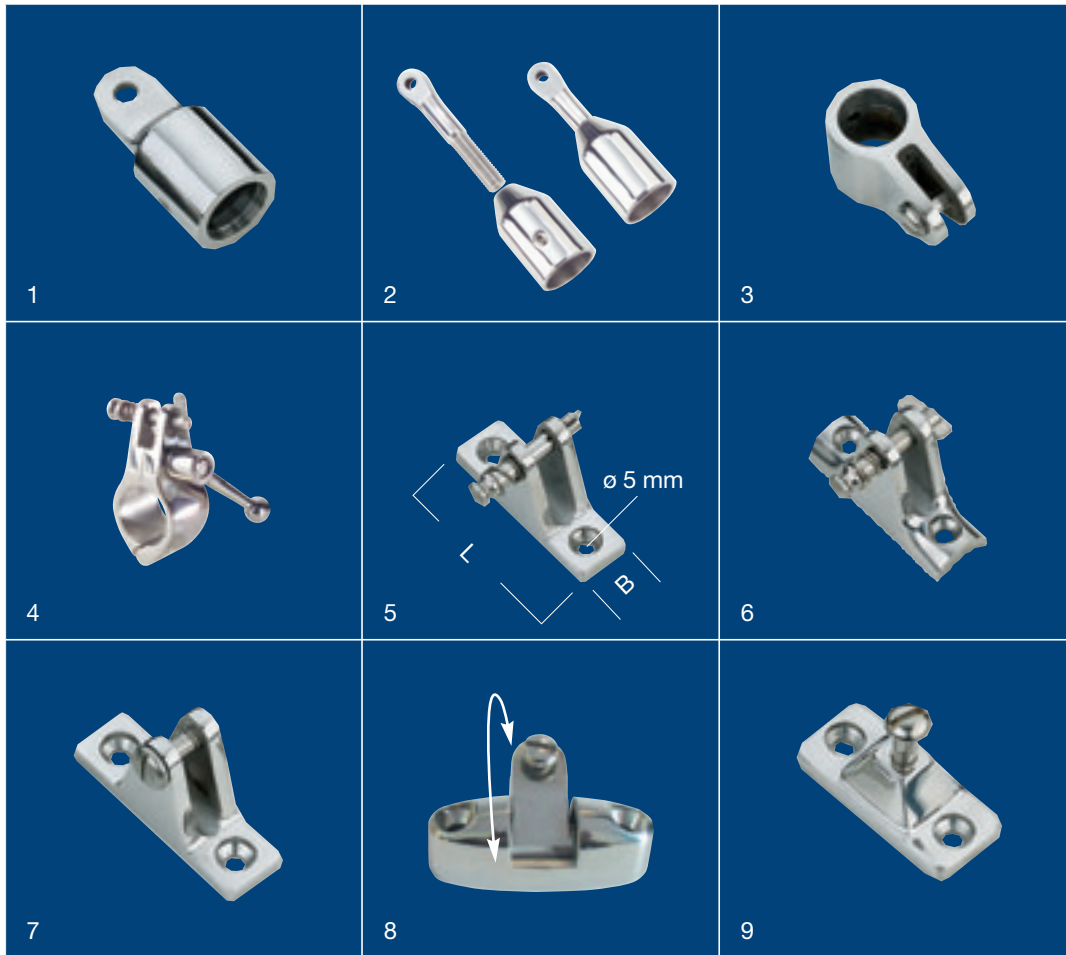
special delivery

	breadth mm	length mm	height mm	art.-no.
1a Bimini with 2 stakes tubes: aluminum anodised cloth: UV- and saltwater resistant	130 150	180 180	110 110	32640 130 00 150 00
1b Bimini with 3 stakes tubes: aluminum anodised cloth: UV- and saltwater resistant	150 170 185 200 225	180 180 180 180 180	140 140 140 140 140	32641 150 00 170 00 185 00 200 00 225 00
w/o vacuum cup image plastic grey				32642 000 00
2 Bimini accessories joint piece plastic white				32643 000 00
3 Bimini accessories connector plastic white				32644 000 00
4 Bimini accessories T-piece is put inside insertion bush image 5 for acceptance of end piece image no. 6				32645 000 00
5 Bimini accessories insertion bush for acceptance of T-piece image no. 4				32646 000 00
6 Bimini accessories end piece is inserted in T-piece image no. 4				32647 000 00



special delivery

		for tube Ø mm	mm	mm	Ø outside mm	mm	art.-no.
1	end piece aluminum silver anodised		20				32604 020 54
2	middle piece aluminum silver anodised		20				32605 020 54
3	hinge bent aluminum silver anodised		20	57	20		32606 001 54
4	cheek plate aluminum silver anodised		20	50	21		32608 000 54
5	stainless steel tube - stainless steel, welded, nealed, high gloss polished - production lengths of ca. 6m - single-packed in tubular film - 10 lengths each 6m packed in tubular film no delivery of smaller quantities/lengths, only available in units of each 10 tubes = 60 m				20 22 25	1,5 1,5 1,5	36160 600 55 36162 600 55 36165 600 55
6	tube joint AISI 316 stainless steel		22 25				32627 022 56 025 56
7	foot 90° AISI 316 stainless steel		22 25				33916 022 56 025 56
8	foot 60° AISI 316 stainless steel		22 25				33915 022 56 025 56

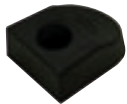


		for tube Ø mm	L mm	B mm	art.-no.
1	end piece AISI 316 stainless steel	20 22 25	58		32604 020 56 022 56 025 56
2	adjustable end piece AISI 316 stainless steel	22 25			32628 022 56 025 56
3	middle piece AISI 316 stainless steel	20 22 25			32605 020 56 022 56 025 56
4	foldable joint piece AISI 316 stainless steel	22 25			32630 022 56 025 56
5	hinge bent bolt replaceable AISI 316 stainless steel		60	18	32625 000 56
6	hinge bent bolt replaceable with curved ground plate AISI 316 stainless steel		60	18	32623 000 56
7	hinge bent AISI 316 stainless steel	90° 10°	60	18	32624 000 56 32606 000 56
8	deck hinge AISI 316 stainless steel		70	25	32626 000 56
9	cheek plate AISI 316 stainless steel		50	23	32608 000 56





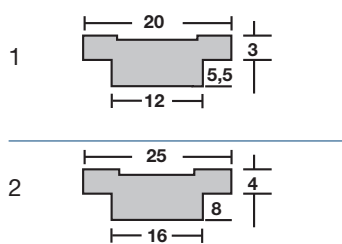
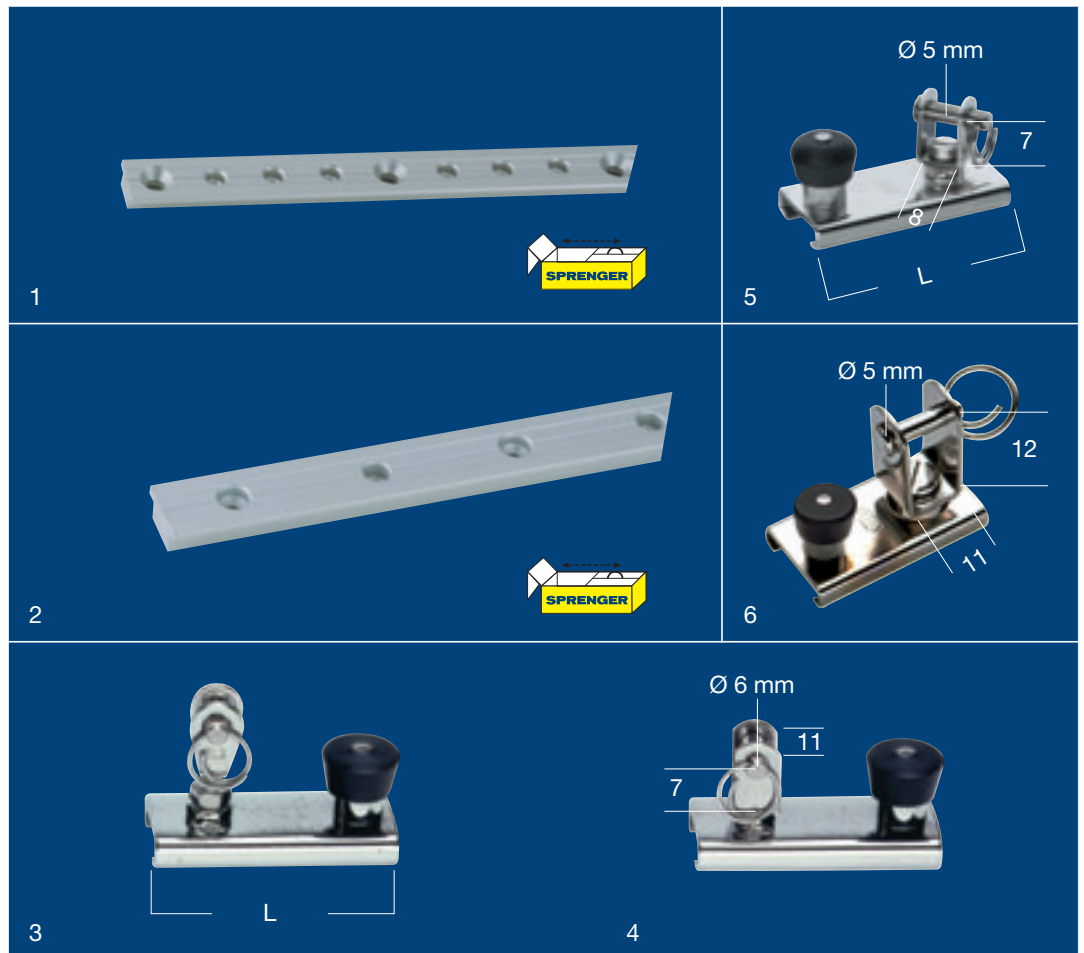
35459 020 63
end pieces for track 1



35459 025 63
end pieces for track 2



special delivery from 1,50 m



		lengths mm	art.-no.
1	T-profile track 20 x 3mm aluminum, seawater resistant anodised, silver	300 400 500 1000 1500 2000	35455 030 54 040 54 050 54 100 54 150 54 200 54
2	T-profile track 25 x 4mm aluminum, seawater resistant anodised, silver	1000 1500 2000 2500	35457 100 54 150 54 200 54 250 54
3	slide for 25 x 4 track fork part for spray hoods, with a welded nut M8 and counter nut stainless steel	65	35528 025 55
4	slide for 25 x 4 track with swivel stainless steel	65	35558 025 55
5	slide with swivel for 20 x 3 track with U-part suitable for spray hood fittings 32604 stainless steel	45	35560 020 55
6	slide with swivel for 20 x 3 track stainless steel	45	35558 020 55