


	L1 mm	L2 mm	B1 mm	content l	Ø mm	 mm	art.-no.
1 complete rig a) mast b) boom c) sprit					45 32 25,4	2 1,6 1,6	<b>38185 000 00</b> <b>001 00</b> <b>002 00</b> <b>003 00</b>
w/o image boom end fitting mast-/boom connection sprit end fitting (set = 2 pieces)							<b>38186 001 00</b> <b>002 00</b> <b>003 00</b>
2 Sprenger hiking strap	400 600 800 1000	240 440 640 840					<b>38181 040 00</b> <b>060 00</b> <b>080 00</b> <b>100 00</b>
3 Sprenger opti hiking strap	920	520					<b>38180 000 00</b>
4 safety bags with Sprenger Logo of white PVC cylinder shaped	800 1000 1200 1500			30 35 40 50	220 220 220 220		<b>39202 001 00</b> <b>002 00</b> <b>003 00</b> <b>004 00</b>
	800 1000 1500			55 65 100	300 300 300		<b>006 00</b> <b>007 00</b> <b>008 00</b>
5 safety bags with Sprenger Logo of PU coated neon-yellow nylon very solid	800 1000 1200 1500			30 35 40 50	220 220 220 220		<b>39208 001 00</b> <b>002 00</b> <b>003 00</b> <b>004 00</b>
	800 1000 1500			55 65 100	300 300 300		<b>006 00</b> <b>007 00</b> <b>008 00</b>

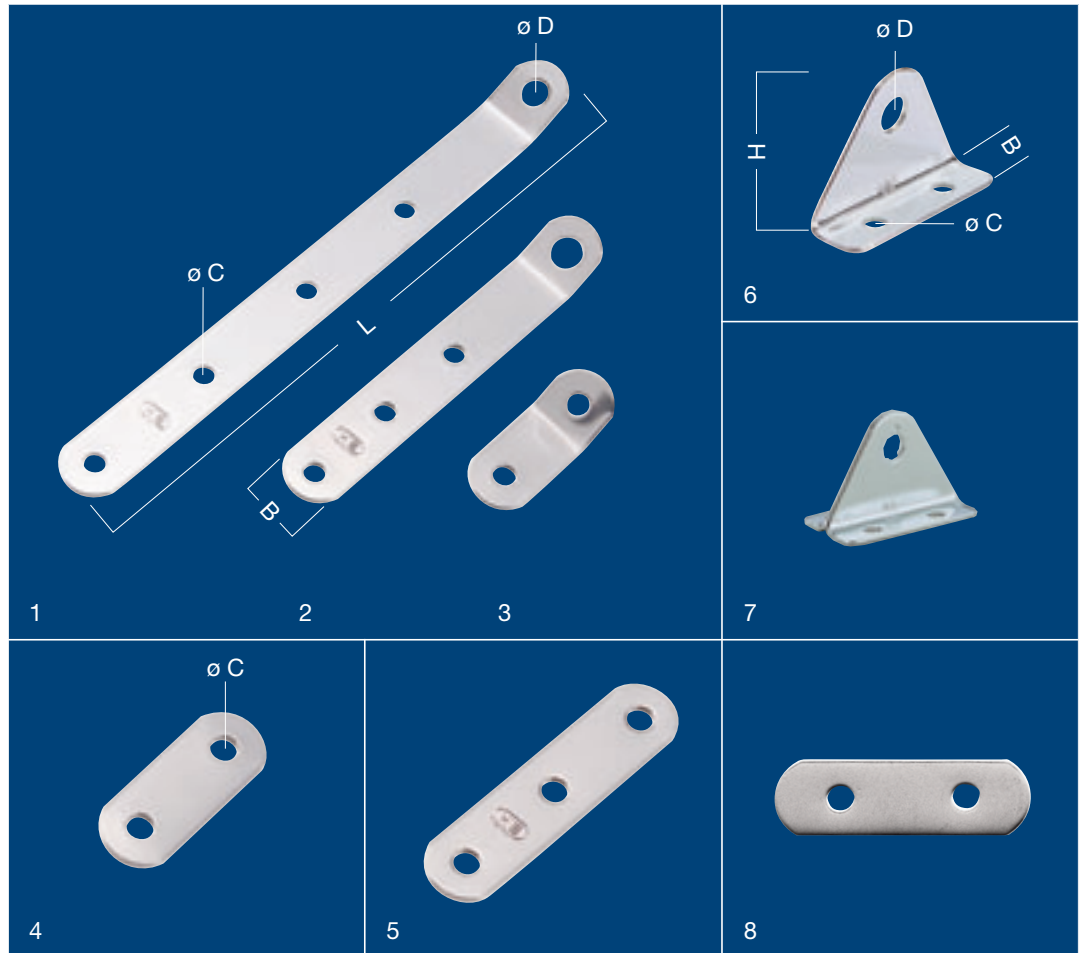
**safety bags**


recommended  
complete equipment

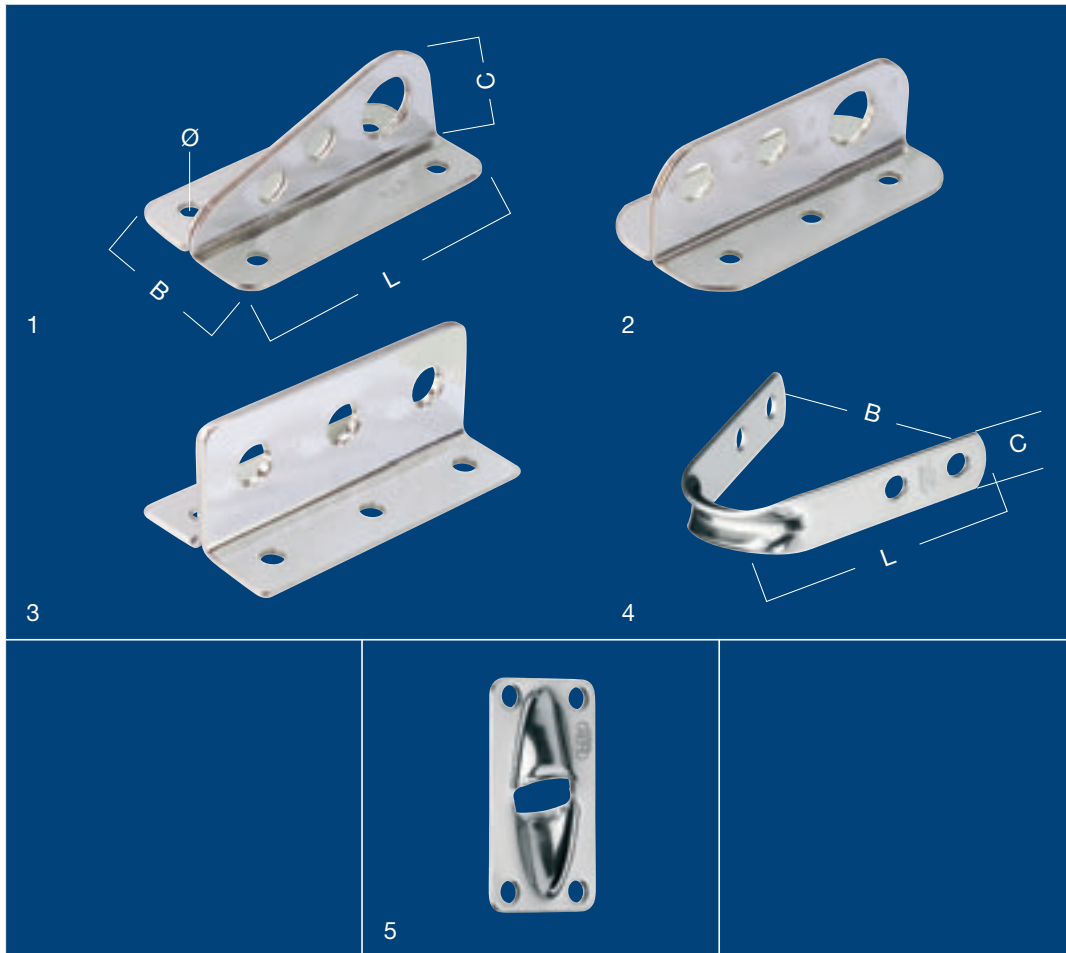
- FINN = 555 l
- OPTIMIST = 135 l
- VAURIEN = 410 l
- PIRAT:
- wood = 250 l
- GfK = 400 l
- Sandwich = 300 l
- GfK / wood = 350 l

e.g. OPTIMIST:

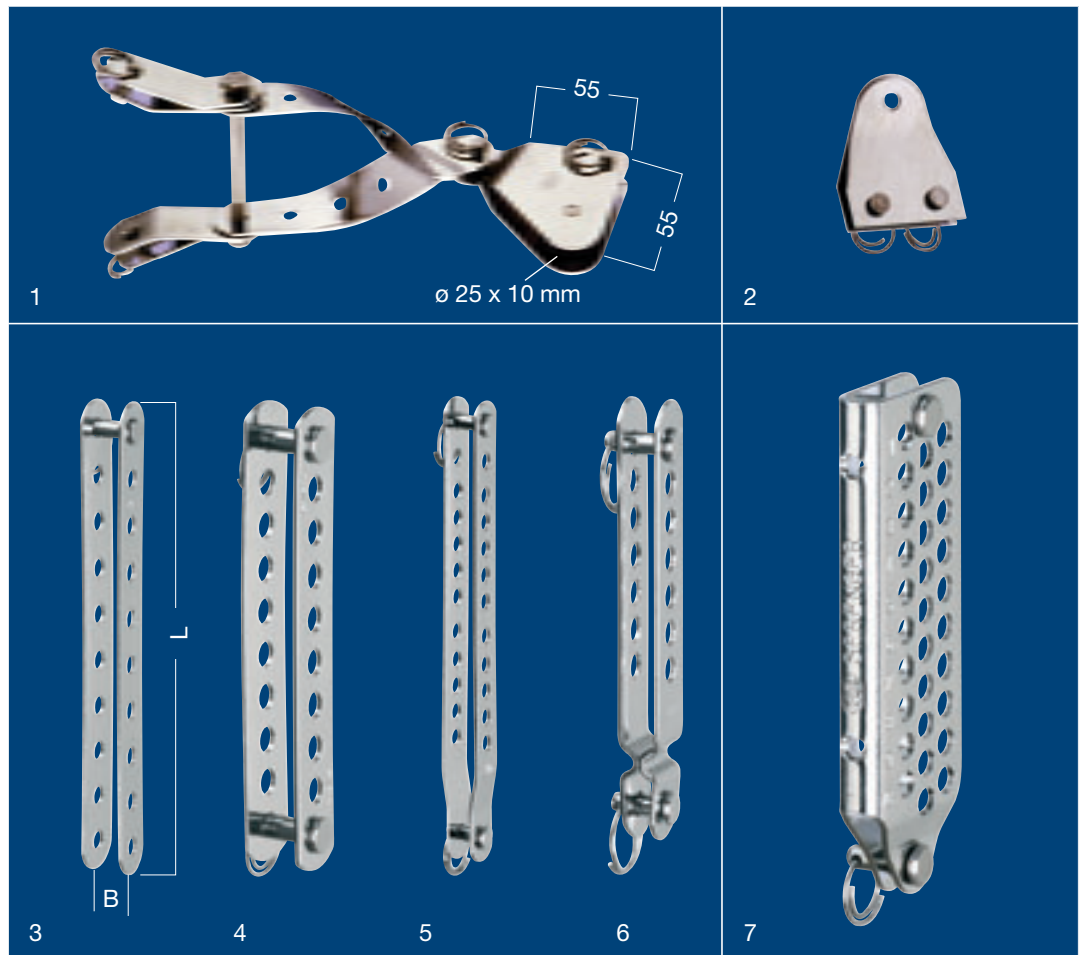
- each 1x 39202 002 00  
port/starbord
- each 1x 39202 007 00  
stern

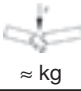
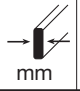


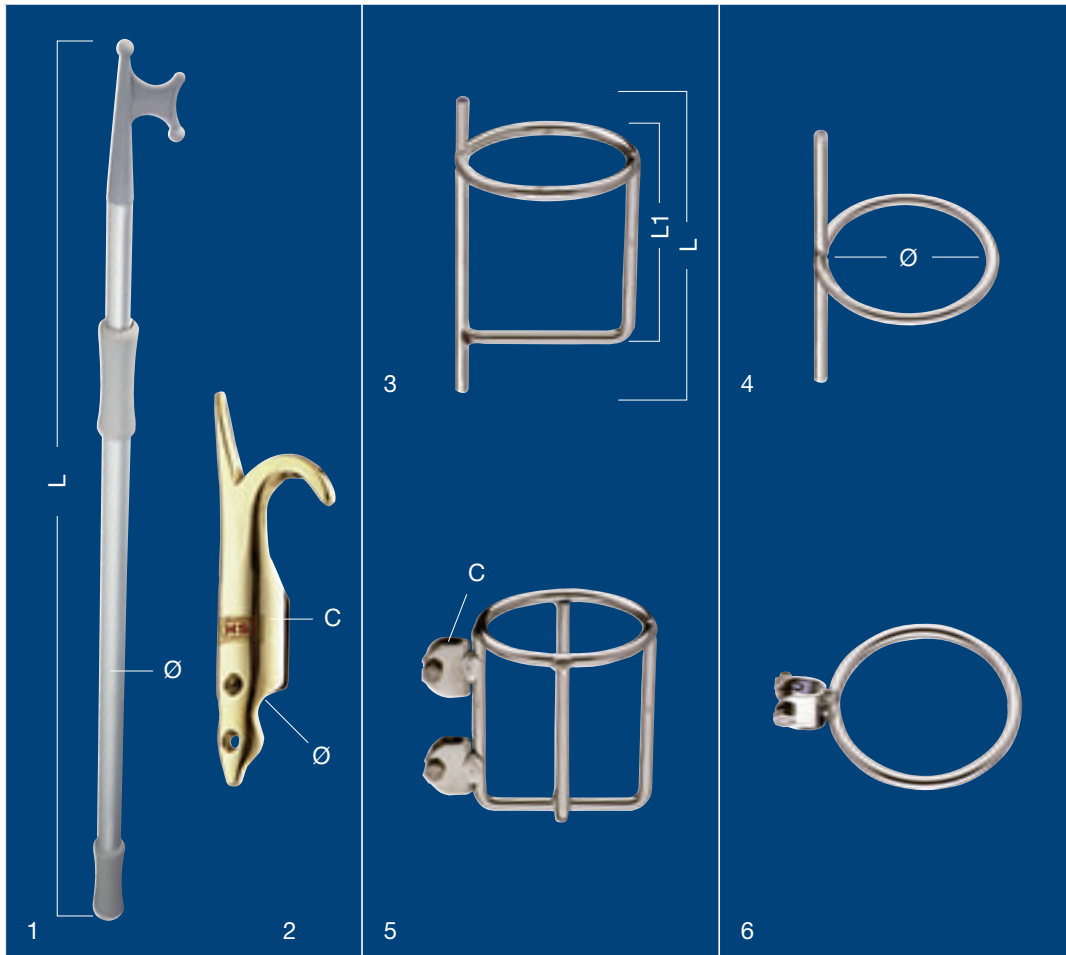
	L mm	B mm	ø C mm	ø D mm	H mm	 mm	art.-no.
1 chain plate	205	20	6,2	8,2		1,5	<b>38893 000 55</b>
2 chain plate	125	20	6,2	8,2		2,0	<b>38892 000 55</b>
3 chain plate	51	20	6,2	6,5		1,5	<b>38890 000 55</b>
4 chain plate	50	20	6,0			2,0	<b>38931 000 55</b>
5 chain plate	80	20	6,0			2,0	<b>38930 000 55</b>
6 chain plate	50	15	5,0	8,0	33		<b>38870 000 55</b>
7 chain plate	50	30	5,0	8,0	33		<b>38871 000 55</b>
8 counter plate suitable for 38870 and 38871	50	15	5,0				<b>38875 000 55</b>








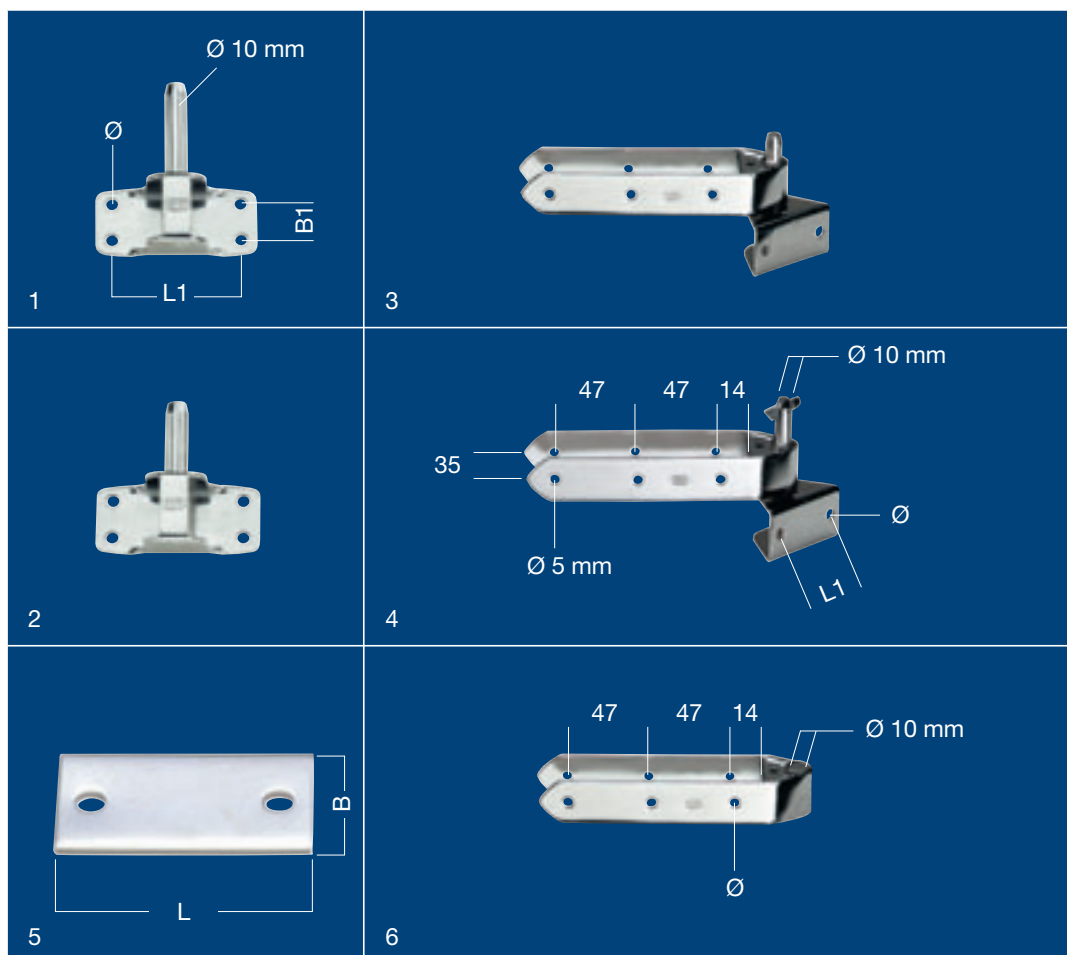
	L mm	B mm	C mm	Ø mm	art.-no.
1 bow plate stainless steel	75	40	31	5	<b>38945 000 55</b>
2 bow plate stainless steel	85	45	30	5	<b>38950 000 55</b>
3 bow plate heavy stainless steel	100	53	40	7	<b>38951 000 55</b>
4 boom strap stainless steel	50 62 75	52 57 60	12 12 15		<b>37701 000 55</b> <b>001 55</b> <b>37702 000 55</b>
5 bush	45	25			<b>38069 000 55</b>



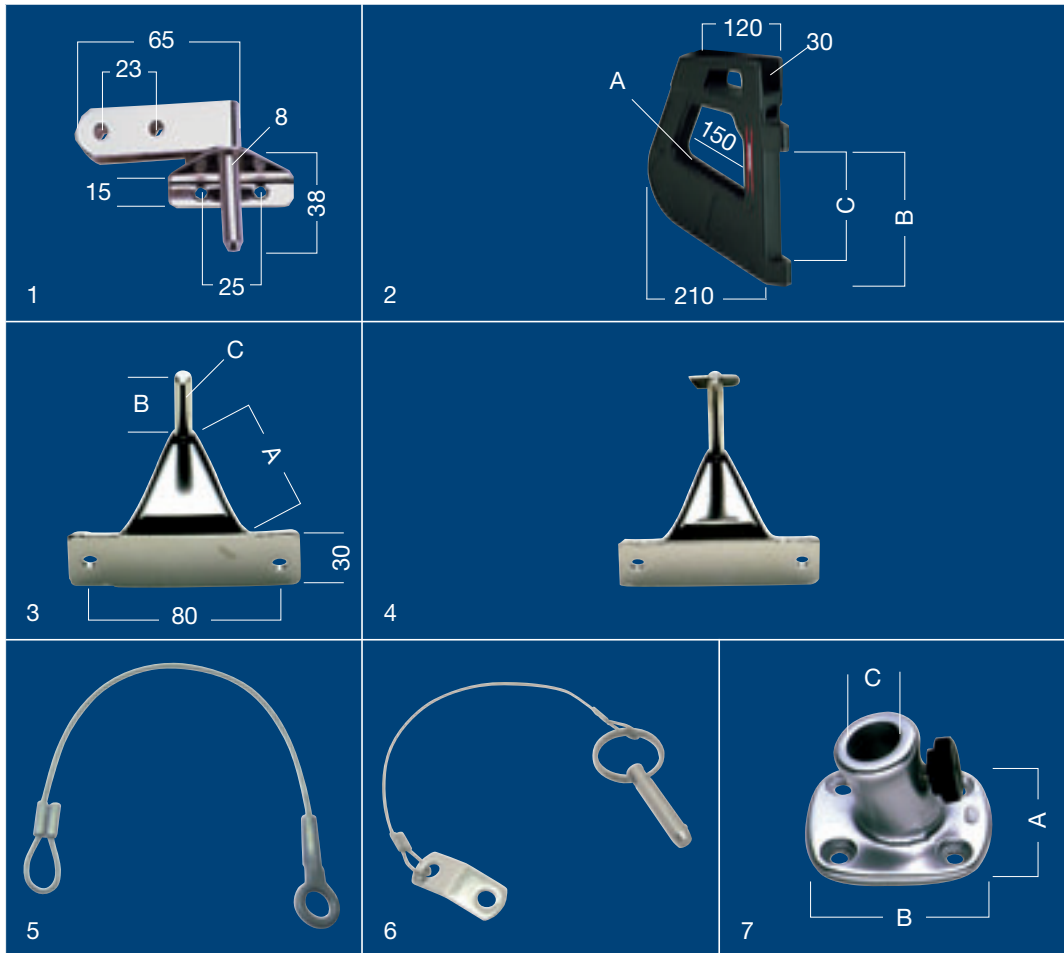
	 ≈ kg	L mm	B mm	bolt Ø mm	 mm	art.-no.
1 hound fitting with mast tangs, turnable forestay halyard and block sheave 25x10 mm for wood and aluminum masts					1,5	<b>36990 000 55</b>
foresail sheave 25x10 mm single fork part single					1,5 1,5	<b>168 15</b> <b>155 12</b>
2 cheek strap						<b>36991 001 55</b>
3 mast tang not cranked	1300	165	20	6	1,5	<b>36931 165 55</b>
4 mast tang not cranked	2000	150	24	8 x 25	2,0	<b>36953 150 55</b>
5 mast tang	900 900 900	100 155 200	15 15 15	5 5 5	1,5 1,5 1,5	<b>36950 100 55</b> <b>36952 155 55</b> <b>200 55</b>
6 mast tang	1200	104	15	5	1,5	<b>36960 104 55</b>
7 mast tang very strong each 3 rows side by side thus precisely adjustable	1400 900	120 120	35 35	6 5	2 1,25	<b>36970 120 55</b> <b>36971 120 55</b>



		L mm	Ø mm	L1 mm	C mm	art.-no.
1	telescopic boat hook aluminum	600 / 1000 1200 / 2050	30 30			<b>39055 060 00</b> <b>120 00</b>
2	boat hook peak brass polished	 155	19		26	<b>34530 155 30</b>
3	boat hook holder simple fixing i.e. with tape, clamp or cable strap stainless steel	 102	52	60		<b>34483 002 55</b>
4	boat hook holder simple fixing i.e. with tape, clamp or cable strap stainless steel	 102	52			<b>34483 001 55</b>
5	boat hook holder stainless steel	 102	54	79	up to 7mm wire	<b>34484 002 55</b>
6	holding ring for boat hooks stainless steel	 102	54		up to 7mm wire	<b>34484 001 55</b>




	length bolt mm	boring mm	L mm	L1 mm	B mm	B1 mm	art.-no.
1 tiller fitting very solid stainless steel	41,5	5,3		55,5		16	<b>38794 001 55</b>
2 tiller fitting very solid stainless steel	31,5	5,3		55,5		16	<b>38794 002 55</b>
3 rudder fitting (pair) very solid forks + material thickness 3mm 4 with locking bolt stainless steel		6		34			<b>38818 035 55</b>
5 counter plate to 38818 035 55 stainless steel		6	55	34	30		<b>38831 000 55</b>
6 rudder fork stainless steel suitable for 38794 001 and 002		5	160	47			<b>38794 003 55</b>



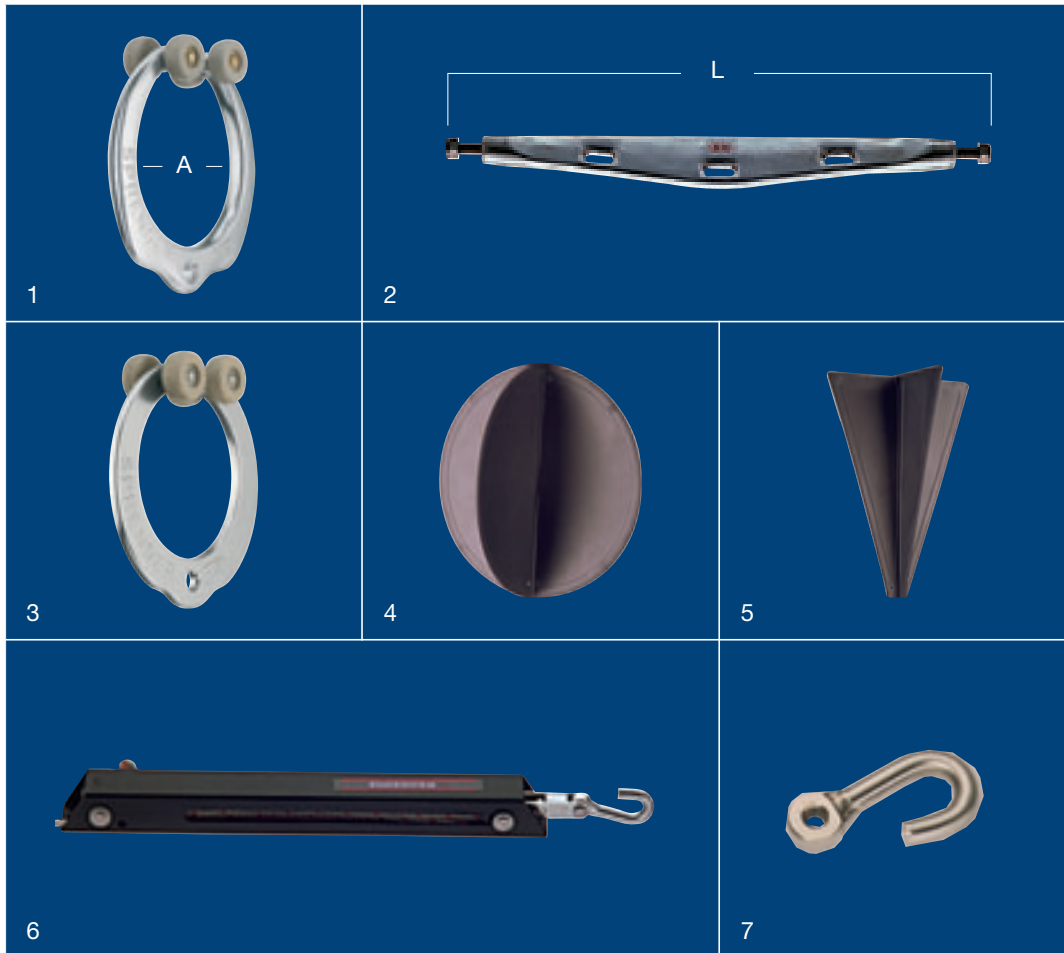
		A mm	B mm	C mm	length mm	boring distance mm	bolt mm	inner width mm	art.-no.
1	rudder fittings for optimists and other small dinghies stainless steel				65	23	8		<b>36230 000 55</b>
2	rudder fitting for dinghies aluminum seawater resistant anodised	20	170	140				20 for blade 30 for head	<b>38825 000 58</b>
3	tiller fitting very solid stainless steel	75	35	8					<b>38807 000 55</b>
4	tiller fitting with safety clevis pin very solid stainless steel	75	45	8		80			<b>38806 000 55</b>
5	safety wire AISI 304 stainless steel				145				<b>33742 125 00</b>
6	rudder locking bolt with safety wire AISI 316 stainless steel				25		6		<b>33741 000 56</b>
7	flag pole socket aluminum silver anodised	41 45 56 63	46 50 51 66	13 16 20 25					<b>33911 013 54</b> <b>016 54</b> <b>020 54</b> <b>025 54</b>
	knurled screw suitable for 33911 ... 54								<b>120 07</b>



	bearing	sheaves Ø mm	for foresail	art.-no.
1 jib furling system fabric-base laminate for ca.5,5 qm fore sail sheaves - Ø 76mm		76	ca 5,5 qm	<b>34477 000 60</b>
2 jib furling system fabric-base laminate for ca.9 qm fore sail sheaves - Ø 95mm		95	ca 9 qm	<b>34478 000 60</b>
3 swivel, ball bearing aluminum anodised suitable for 34477 and 34478 suitable leading eye 34475 000 55 w/o image				<b>34477 001 00</b>



		L1 mm	L2 mm	ø mm	art.-no.
1	bailer ball rubber, blue			60	<b>37030 001 00</b>
2	bailer ball rubber, black	67		48	<b>37030 067 00</b>
3	dipper plastic	180	140		<b>39057 465 00</b>
4	mist horn straight brass polished with chain	330			<b>32550 000 30</b>
5	mist horn bent brass polished with chain	270			<b>32551 000 30</b>
6	flag code adhesive 160x240mm				<b>33980 000 00</b>
7	hand oil pump with 2 plastic special tubes to pump out oil- and fuel tanks brass	200	155		<b>37110 000 00</b>
8	bottle holder stainless steel/wire Ø 5 mm Ø of the two large rings ca. 75mm inner width steel electrolytical polished	240			<b>34040 075 55</b>
9	key fob with functional MICRO xs block sheave: plastic cage: steel electrolytical polished				<b>39710 000 55</b>



		A mm	for boom mm	cage mm	L mm	sheaves	stroke mm	art.-no.
1	reefing claw aluminum seawater resistant anodised	71	65					<b>35820 065 54</b>
	spare parts for reefing claws: for one reefing claw essential: 2 x loose sheave 2 x U-plate 2 x axle with sheave	93	85					<b>085 54</b>
		118	100					<b>100 54</b>
2	reefing claw connection bar aluminum seawater resistant anodised, silver with inserted M 8 bolt of stainless steel, with screwed nuts and 3 holes				300			<b>35851 300 54</b>
3	reefing claw of stainless steel material thickness 6 mm very solid	93	85					<b>35822 085 55</b>
4	anchor ball black plastic Ø 35 cm				350			<b>38995 000 00</b>
5	signal cone black plastic foldable 35 x 34 cm							<b>38996 000 00</b>
6	adjustable mast chock seawater resistant aluminum, black anodised with rope			30 x 30	300	6	205	<b>36616 000 53</b>
				40 x 40	320	8	205	<b>36618 005 53</b>
7	hook suitable for 36616 stainless steel							<b>132 18</b>