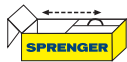


Aluminum t-tracks 20x3 are available in the following lengths ex works:

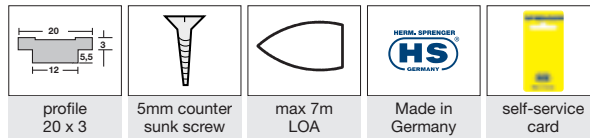
35455 ... 54

- 030 54 = 30 cm
- 040 54 = 40 cm
- 050 54 = 50 cm
- 100 54 = 100 cm
- 150 54 = 150 cm
- 200 54 = 200 cm

Special lengths are possible on request.



Special delivery from a track length of 150 cm on

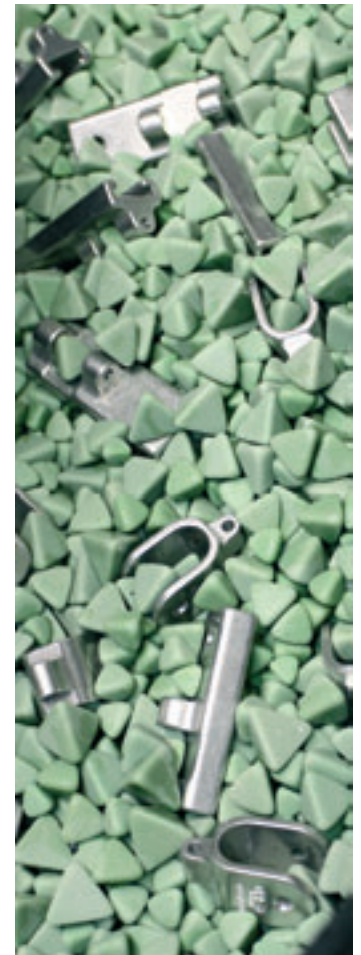
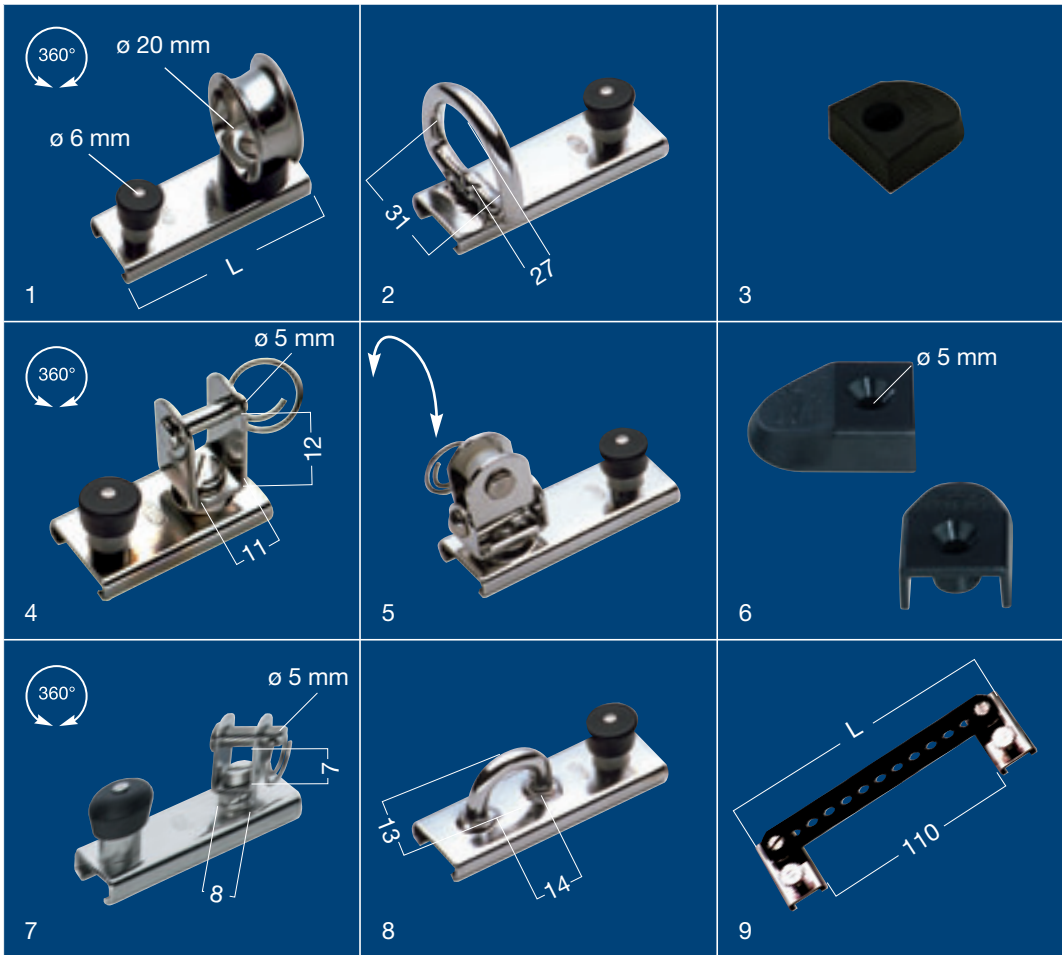



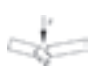
Advantages:

- aluminum seawater resistant anodized
- suitable for boats with 7 m LOA
- genua slides manufactured of an extruded section, i.e.
 - high accuracy grade
 - high consistency
 - no air inclusions
- fork part of the genua slide with rubber wedge, to avoid pitching on deck
- large range of different track lengths and slide types

| | bearing | length mm | art.-no. | specifics |
|---|---------|------------|---------------------|--|
| 1 T-track 20 x 3 mm | | 300 - 2000 | 35455 ... 54 | |
| 2 genua slide „cockpit adjustment“ aluminum silver anodised plastic sheave, bolt stainless steel with mounted shackle, rotatable sheave | | 80 | 35460 020 54 | for 6mm rope |
| 3 end piece for genua slide „cockpit adjustment“ with fixly mounted midi-block with sliding bearing | | 90 | 35461 020 54 | mountable with socket screw M6 without boring |
| 4 genua slide silver anodised sheave plastic | | 65 | 35458 200 54 | loose sheave no. 17328 |
| 5 genua slide black anodised sheave plastic | | 65 | 35458 200 53 | loose sheave no. 17328 |
| 6 slide with block welded strap with mounted spring | | 65 | 35570 020 55 | for 12 mm rope |
| 7 slide with block, cheek parts stainless steel welded strap, for rope 12mm sheave 42 x 13 mm, with mounted spring | | 65 | 35571 020 55 | block with strap no. 16816 loose slide no. 17810 |
| 8 slide with block like image no. 7, simple layout with mounted spring | | 65 | 35575 020 55 | loose slide no. 17816 |

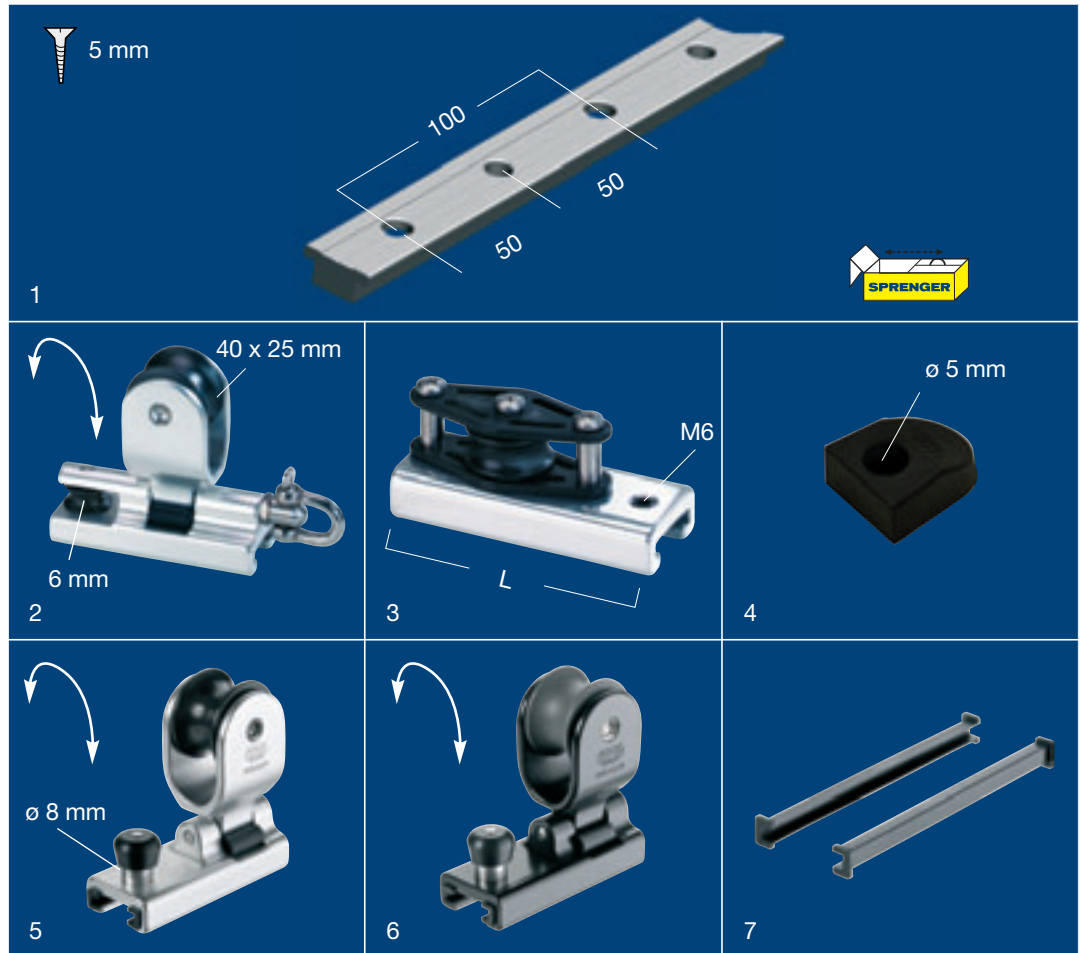
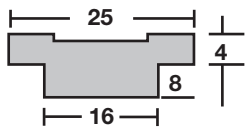
Please note the actual complementing references on www.sprenger.de



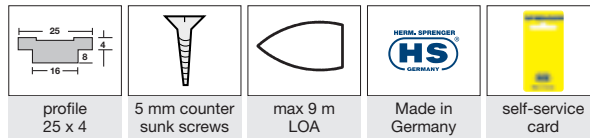
| |  ≈ kg |  ≈ kg | length mm | art.-no. |
|--|---|---|-----------|---------------------|
| 1 slide with swivelling rope guide stainless steel | | | 65 | 35565 020 55 |
| 2 slide with bow across stainless steel | 125 | 500 straight load | 65 | 35531 020 55 |
| 3 end piece plastic black for mounting in front of the track | | | | 35459 020 63 |
| 4 slide with swivel stainless steel | | | 45 | 35558 020 55 |
| 5 slide for winch blocks 35240 stainless steel | | | 65 | 35245 001 55 |
| 6 end piece plastic black for sliding on | | | | 35471 020 63 |
| 7 slide with swivel stainless steel, with U-part suitable for spray hood fittings 32604 | | | 45 | 35560 020 55 |
| 8 slide with bow stainless steel bow longitudinal | | | 65 | 35522 020 55 |
| 9 double slide stainless steel connection track aluminum black seawater resistant anodised | | | 157 | 35550 000 55 |

Advantages:

- stainless steel
- suitable for boats up to 7 m LOA
- large range of different slide types



special delivery from a track length of 150 cm on

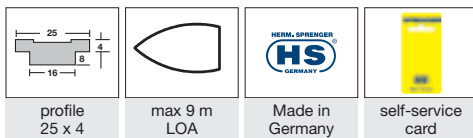


Advantages:

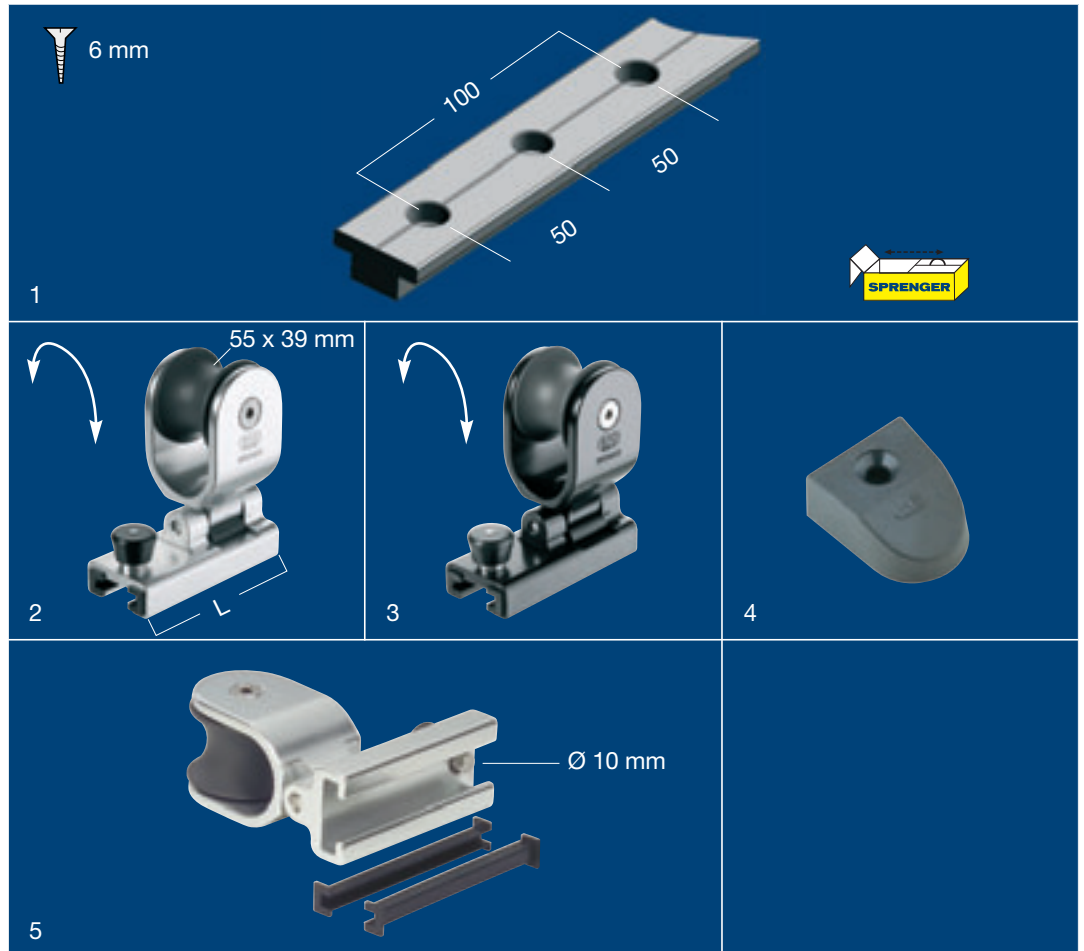
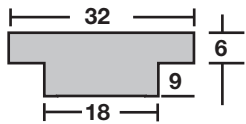
- aluminum seawater resistant anodized
- stainless steel
- suitable for boats with 9 m LOA
- genua slides manufactured of a extruded section, i.e.
 - high accuracy grade
 - high consistency
 - no air inclusions
- genua slide equipped with plastic sliding shoes: noise reduction, increased sliding ability, material preservation, optimal running!
- fork part of the genua slide with rubber wedge, to avoid pitching on deck
- large range of different track lengths and slide types

| | bearing | length mm | art.-no. | specifics |
|---|---------|------------------------------|--|--|
| 1 | | 1000 1500 2000 2500 | 35457 100 54 150 54 200 54 250 54 | |
| 2 | | 88 | 35460 025 54 | |
| 3 | | 90 | 35461 025 54 | |
| 4 | | | 35459 025 63 | |
| 5 | | 88 | 35458 250 54 | loose sheave 17062 |
| 6 | | 88 | 35458 250 53 | loose sheave 17062 |
| 7 | | 88 | 14808 | suitable for 35458 250 54 35458 250 53 |

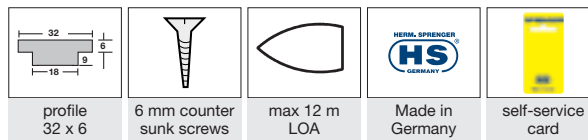
Please note the actual complementing references on www.sprenger.de



| | bearing | length mm | inner width mm | width mm | art.-no. | specifics |
|---|---------|----------------------|----------------|----------------|---|---|
| 1 | | 88 | | | 35570 025 55 | for rope 12 mm |
| 2 | | 65 | | | 35558 025 55 | suitable for T-profile track 25 x 4 35457 |
| 3 | | 65 | | | 35522 025 55 | suitable for T-profile track 25 x 4 35458 |
| 4 | | 65 | | | 35528 025 55 | suitable for T-profile track 25 x 4 35459 |
| 5 | | | 19 23 28 | | 36501 019 55 023 55 028 55 | suitable for mast track 36511 018 55 36511 022 55 36511 027 55 |
| 6 | | 5000 5000 5000 | | 18 22 27 | 36511 018 55 022 55 027 55 | material strength 1,25 mm material strength 1,5 mm material strength 1,5 mm |





 special delivery from a track length of 150 cm on



Advantages:

- aluminum seawater resistant anodized
- suitable for boats with 12 m LOA
- genua slides manufactured of a extruded section, i.e.
 - high accuracy grade
 - high consistency
 - no air inclusions
- genua slide equipped with plastic sliding shoes: noise reduction, increased sliding ability, material preservation, optimal running!
- fork part of the genua slide with rubber wedge to avoid pitching on deck
- large range of different track lengths (up to 6 m)

| | | length mm | art.-no. | specifics |
|---|---|---|---|--------------------------------------|
| 1 | T-track 32x6 mm aluminum seawater resistant anodised, silver special lengths possible on request | 1000 1500 2000 3000 4000 5000 6000 | 35452 100 54 150 54 200 54 300 54 400 54 500 54 600 54 | |
| 2 | genua slide silver anodised, with sliding shoes sheave aluminum |  110 | 35458 320 54 | loose sheave 17090 |
| 3 | genua slide black anodised, with sliding shoes sheave aluminum |  110 | 35458 320 53 | loose sheave 17090 |
| 4 | end piece plastic black mounted in front of the track | | 35459 032 63 | |
| 5 | sliding shoe plastic black | | 14809 | for one slide are 2x 14809 essential |